

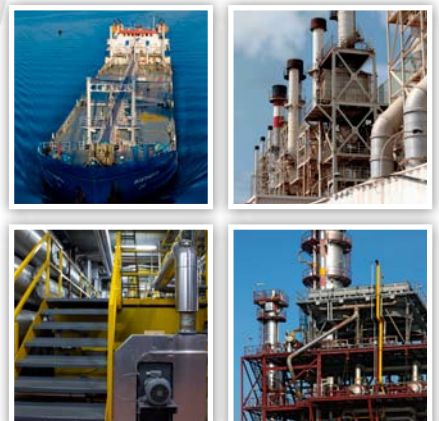
Pro-Gear
VALVE ACTUATORS

THE POWER
IS YOURS!



Q-LT SERIES

HOUSING
INPUT SHAFT
QUADRANT
WORM
STROKE ADJUSTMENT
INDICATOR
COATING



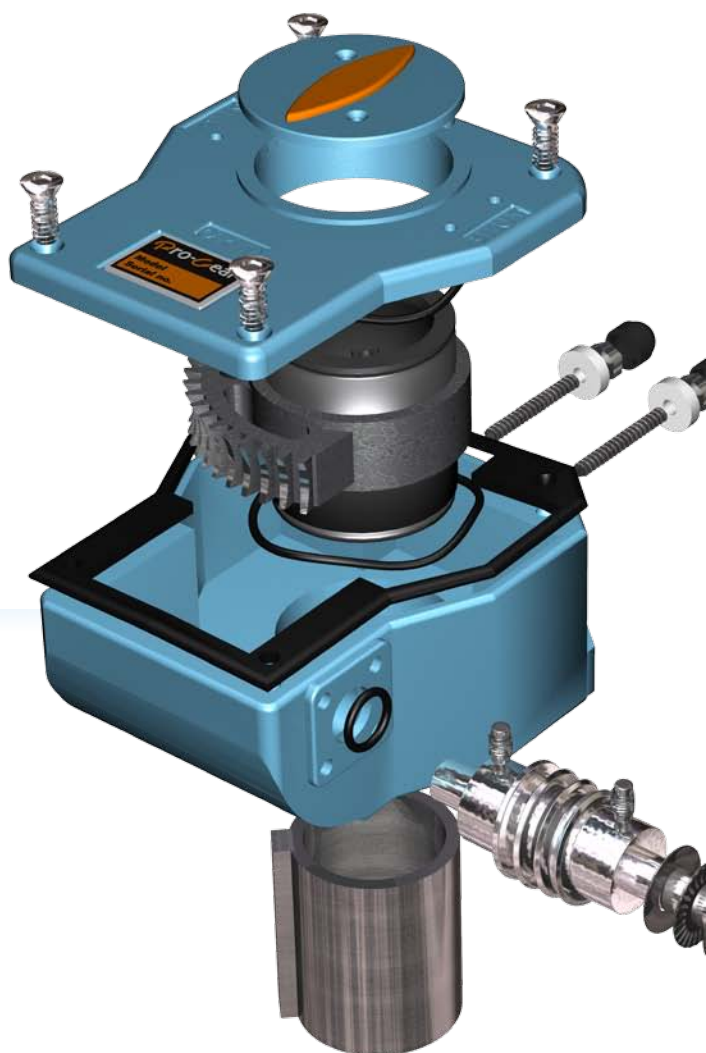


Q-LT SERIES

The Pro-Gear Series “Q-LT “ quarter turn gearboxes are rugged, industrial grade products, manufactured with ductile cast iron housing and components. All models in this series feature high performance bearings and a powder coated finish.

APPLICATIONS

The Q-LT series is highly suitable for all low temperature industrial applications as well as low temperature applications in chemical and power plants. Pro-Gear’s operators are intended for the operation of ball, plug and butterfly valves as well as power and process dampers. The usage of high grade of materials provides a tough, reliable unit for the automation of today’s high performance industrial valves. Several options such as padlocking devices, memory stops, spur gears and limit switchboxes can be easily mounted on site without any machining, due to the integration of all necessary connections on the housing.



PERFORMANCE SPECIFICATIONS

- > 14 Models
- > Up to 70.000 Nm. Torque range
- > -5° to 95° stroke
- > IP68 sealing
- > -40 °C to + 150 °C (-40 °F to +266 °F) temperature range

TYPE	RATIO	TORQUE (Nm)		M.A. ± 10%	WEIGHT (Kg)
		OUTPUT	INPUT		
Q-200 LT	40 : 1	200	16.8	11.9	2
Q-400 LT	44 : 1	400	31.25	12.8	3.87
Q-800 LT	40 : 1	800	60	13.3	7.68
Q-1500 LT	42 : 1	1500	122.95	12.2	13.50
Q-2000 LT	48 : 1	2000	131	15.3	14.55
Q-3000 LT	62 : 1	3000	167	17.9	22.8
Q-4000 LT	72 : 1	4000	185	21.6	31.5
Q-6500 LT	267 : 1	6500	95	68.4	37.50
Q-12000 LT	267 : 1	12000	168.48	71.2	56.70
Q-16000 LT	648 : 1	16000	120	133.3	62.50
Q-24000 LT	720 : 1	24000	140	171.4	192
Q-32000 LT	960 : 1	32000	140	228.6	195
Q-50000 LT	960 : 1	50000	150	333.3	352
Q-70000 LT	1280 : 1	70000	185	378.4	352

1Nm=0,737562 lbf.ft. 1Nm=8,8507 lbf.ins. [Converting International Units to British Units]

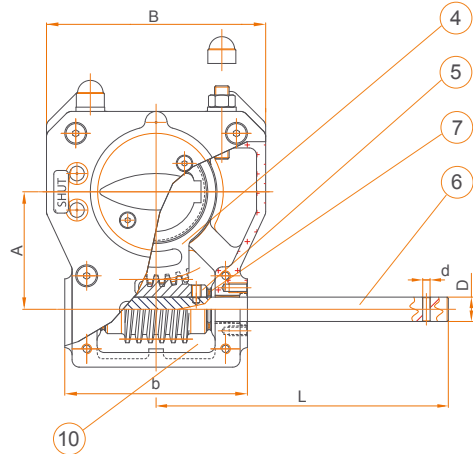
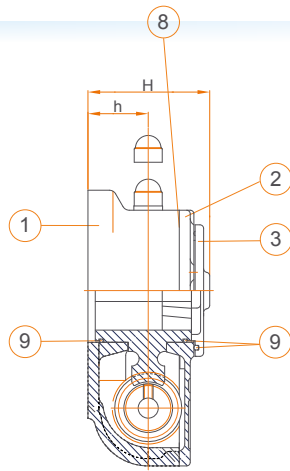
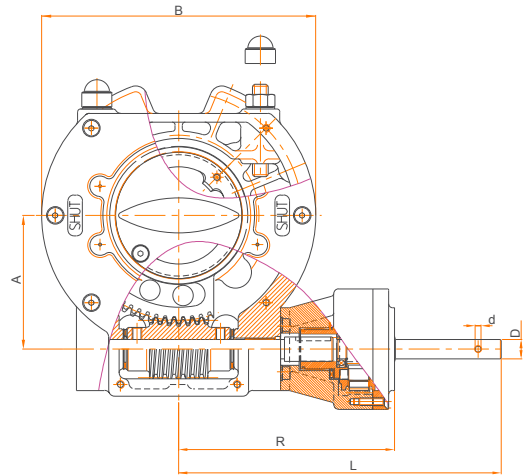
FEATURES

- > Stainless Steel input shaft
- > Stainless Steel fasteners
- > Standardised according to DIN / ISO 5211
- > 13 Models up to 70.000 Nm. output
- > Axial needle bearings
- > Centellen gasket material
- > Sealed position-indicator
- > Powder coated / polyurethane coated finish
- > Insert bush system for flexibility and reduced lead times
- > Carefully chosen ratio's are increasing the MA-rates
- > Blind tapped PCD's



PARTS / MATERIALS LIST Q-LT SERIES

PART NO	DESCRIPTION	MATERIAL	SPECS / STANDARD
1	Body	Ductile iron	GGG40 / ASTM 356
2	Coverplate	Ductile-iron	GGG40 / ASTM 306
3	Pos. Indicator	Ductile-iron	GGG40 / ASTM 356
4	Quadrant	Ductile-iron	GGG40 / ASTM A356
5	Worm	Carbon steel	C45-K
6	Shaft	Stainless steel	
7	Axial needle bearing		
8	Gasket	Centellen	HD 3822
9	O-rings	EPDM	70° shore
10	Grease	Lithium complex	
11	Fasteners	Stainless steel	



GEARBOX	TYPE	A	b	B	d	D	h	H	L	R	VALVE CONNECTION ACC ISO 5211			
											50 (F05)	70 (F07)		
Q-200 LT	MM	43.5	70	84	4	12	28.5	64	118	-	50 (F05)	70 (F07)		
	INCH	1.71	2.76	3.31	0.16	0.47	1.12	2.52	4.65	-	1.97	2.76		
Q-400 LT	MM	52.5	91	112	4	12	34	74.75	175	-	70 (F07)	102 (F10)		
	INCH	2.07	3.58	4.41	0.16	0.47	1.34	2.94	6.89	-	2.76	4.02		
Q-800 LT	MM	68.75	110	135	5	15	42.5	90.5	225	-	102 (F10)	125 (F12)	140 (F14)	
	INCH	2.71	4.33	5.31	0.20	0.59	1.67	3.56	8.86	-	4.02	4.92	5.51	
Q-1500 LT	MM	84	129	156	6	20	45	97	214	-	102 (F10)	125 (F12)	140 (F14)	
	INCH	3.31	5.08	6.14	0.24	0.79	1.77	3.82	8.43	-	4.02	4.92	5.51	
Q-2000 LT	MM	96.5	150	180	6	20	50	100	240	-	102 (F10)	125 (F12)	140 (F14)	165 (F16)
	INCH	3.80	5.91	7.09	0.24	0.79	1.97	3.94	9.45	-	4.02	4.92	5.51	6.50
Q-3000 LT	MM	117.5	201	250	6	20	48.5	117.5	255	-	140 (F14)	165 (F16)		
	INCH	4.63	7.91	9.84	0.24	0.79	1.91	4.63	10.04	-	5.51	6.50		
Q-4000 LT	MM	137.5	210	282	6	20	54.5	128	300	-	165 (F16)	254 (F25)		
	INCH	5.41	8.27	11.10	0.24	0.79	2.15	5.04	11.81	-	6.50	10.00		
Q-6500 LT	MM	137.5	210	282	6	20	54.5	128	347	222	165 (F16)	254 (F25)		
	INCH	5.41	8.27	11.10	0.24	0.79	2.15	5.04	13.66	8.74	6.50	10.00		
Q-12000 LT	MM	180	272	366	6	20	63.5	135	378	282	254 (F25)	298 (F30)		
	INCH	7.09	10.71	14.41	0.24	0.79	2.50	5.31	14.88	11.10	10.00	11.73		
Q-16000 LT	MM	180	272	366	8	25	63.5	135	403	326	254 (F25)	298 (F30)		
	INCH	7.09	10.71	14.41	0.31	0.98	2.50	5.31	15.87	12.83	10.00	11.73		
Q-24000 LT	MM	252.5	350	510	8	25	85	186	442	365	254 (F25)	298 (F30)	356 (F35)	406 (F40)
	INCH	9.94	13.78	20.08	0.31	0.98	3.35	7.32	17.40	14.37	10.00	11.73	14.02	15.98
Q-32000 LT	MM	252.5	350	510	8	25	85	186	442	365	254 (F25)	298 (F30)	356 (F35)	406 (F40)
	INCH	9.94	13.78	20.08	0.31	0.98	3.35	7.32	17.40	14.37	10.00	11.73	14.02	15.98
Q-50000 LT	MM	291.5	540	612	key 8mm	25	138	262.5	612	502	356 (F35)	406 (F40)	483 (F48)	
	INCH	11.48	21.26	24.09	0.31" key	0.98	5.43	10.33	24.09	19.76	14.02	15.98	19.02	
Q-70000 LT	MM	291.5	540	612	key 8mm	25	138	262.5	612	502	356 (F35)	406 (F40)	483 (F48)	
	INCH	11.48	21.26	24.09	0.31" key	0.98	5.43	10.33	24.09	19.76	14.02	15.98	19.02	



Q-LT SERIES

HANDWHEELS "P(RRESSED)-SERIES"

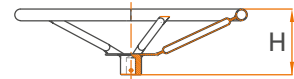
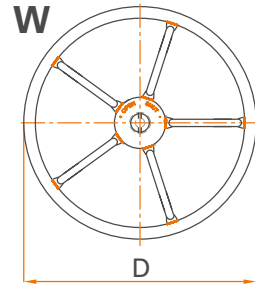
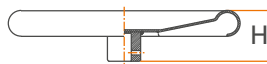
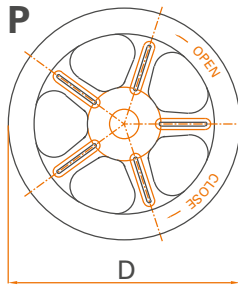
TYPE	D	H
P100	Ø 100	38
P125	Ø 125	42
P160	Ø 160	48
P200	Ø 200	53

Dimensions mentioned in mm.

HANDWHEELS "W(ELDED)-SERIES"

TYPE	D	H
W125	Ø 125	50.5
W160	Ø 160	56
W200	Ø 200	73
W250	Ø 250	86
W300	Ø 300	86
W400	Ø 400	122
W500	Ø 500	141
W600	Ø 600	157
W700	Ø 700	180

Dimensions mentioned in mm.



How to size the diameter of the handwheel:

1 Get the output torque required

$$\text{Handwheel diameter} = \left(\frac{\text{Output Required}}{\text{M.A.}} \right) \times 5^*$$

2 Select the Handwheel diameter

* RIM pull 400 Nm

THE POWER IS YOURS!

Pro-Gear GmbH is a young, highly flexible team, who are carrying out every element of design, assembly and quality control with the utmost care.

The unique combination of the products, together with the know how and assembling facilities are creating for clients a relationship, unique in the valve actuator industries.



GOST certificated



Kopenhagener Straße 21
 D-48455 Bad Bentheim - Gildehaus
 Tel +49 (0)5924 255 840 - Fax +49 (0)5924 255 841
 E-mail info@pro-gear.de - www.pro-gear.de

